

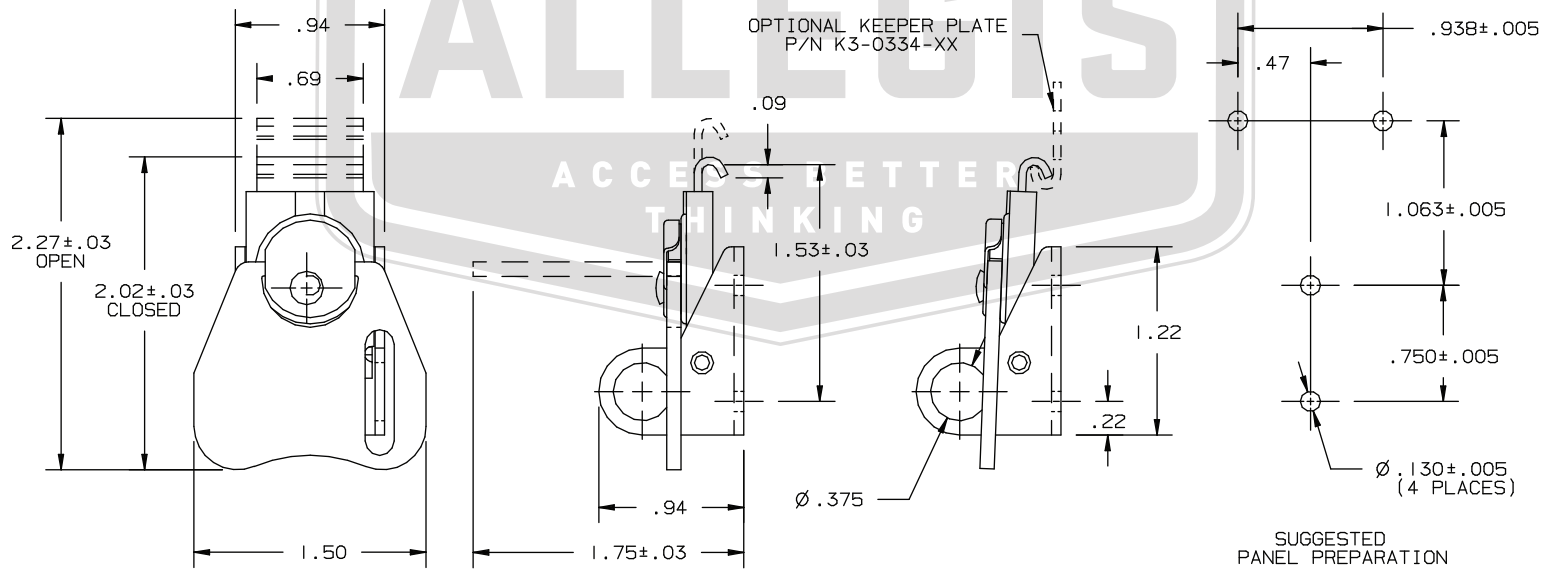
APPROVAL - CUSTOMER NAME & SIGNATURE	DATE

REV.	DATE	BY-CHKD	REVISIONS	PART NUMBER	MATERIAL	FINISH
A	10FEB99	LRB	PRN: K3-256	K3-2403-07	SEE NOTE A	SEE NOTE B
				K3-2403-08	SEE NOTE A	SEE NOTE C
				K3-2403-09	SEE NOTE A	SEE NOTE D
				K3-2403-52	STAINLESS STEEL	NATURAL
				K3-2403-55	STAINLESS STEEL	BLACK OXIDE
				K3-2403-80	SEE NOTE A	SEE NOTE E

NOTES: MATERIAL & FINISH

A - HOUSING, WING, UPPER CAM AND LOWER-CAM ARE CARBON STEEL
 ANCHOR PLATE AND SLIDE ARE HARDENED ALLOY STEEL
 CAP, CAM RIVET AND ANCHOR PLATE RIVET ARE STAINLESS STEEL.

B - ZINC PLATE, BRIGHT CHROMATE DIP.
 C - ZINC PLATE, YELLOW CHROMATE DIP.
 D - ZINC PLATE, BLACK CHEOMATE DIP.
 E - ZINC BLACK ALLOY, BLACK CHROMATE



ALLEGIS	1-866-378-7550
MATERIAL: Stainless Steel	DRAWING NO. : K3-2403-52
FINISH: Passivated	
REV.: 1:1	DATE: 5/30/2019